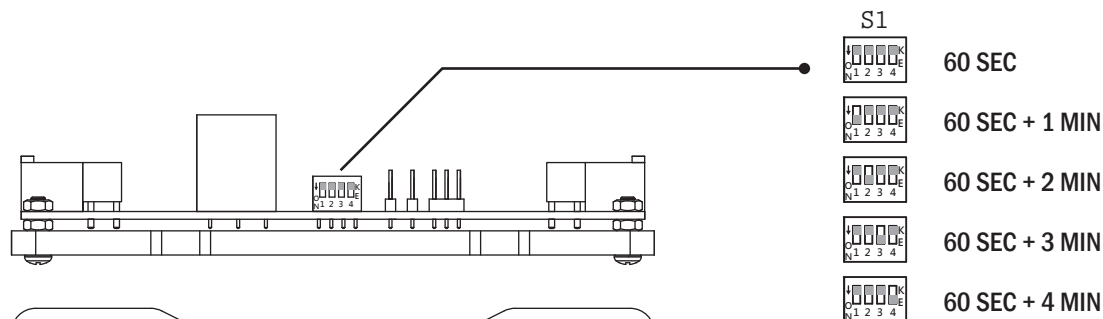




X-Station Universal Cooling After Module Installation Guide



* When Two Or More Turn On Simultaneously With The Highest Unit.

Countdown Display

Right Angle 24PIN
Connect TO Motherboard Or Power Supply

Right Angle 24PIN
Connect TO Motherboard Or Power Supply



Please Don't Open The Mask To Avoid Contact Caused By Short Circuit.

Dimensions : 136 X 95 X 25 MM
Installation Dimensions : 160 X 95 X 25 MM
Voltage : 4.5~5.5V
Current : 0.48A
Power ATX Ver : ATX2.2 or More

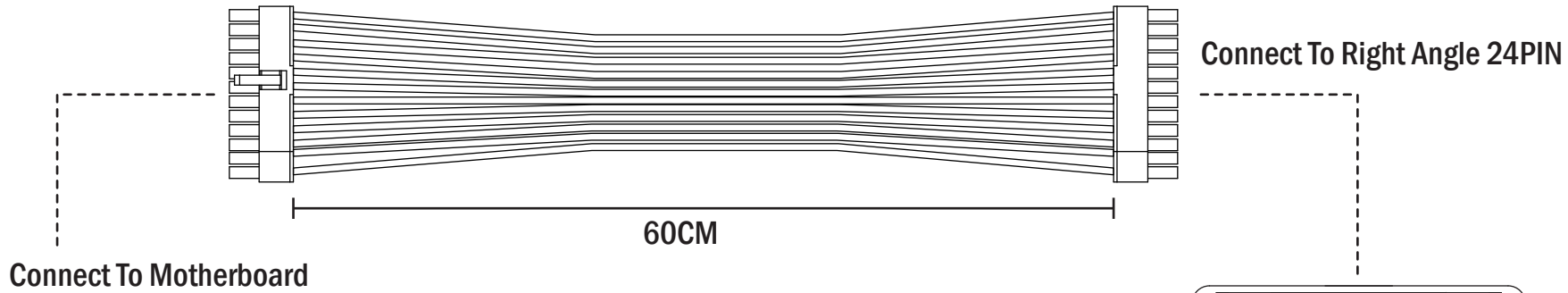
JP5
Expansion Power LED Switch

JP4
Option For Future Application

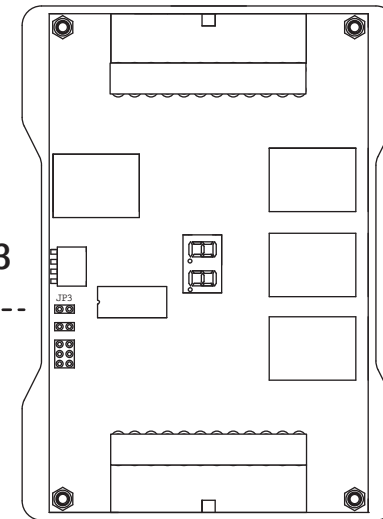
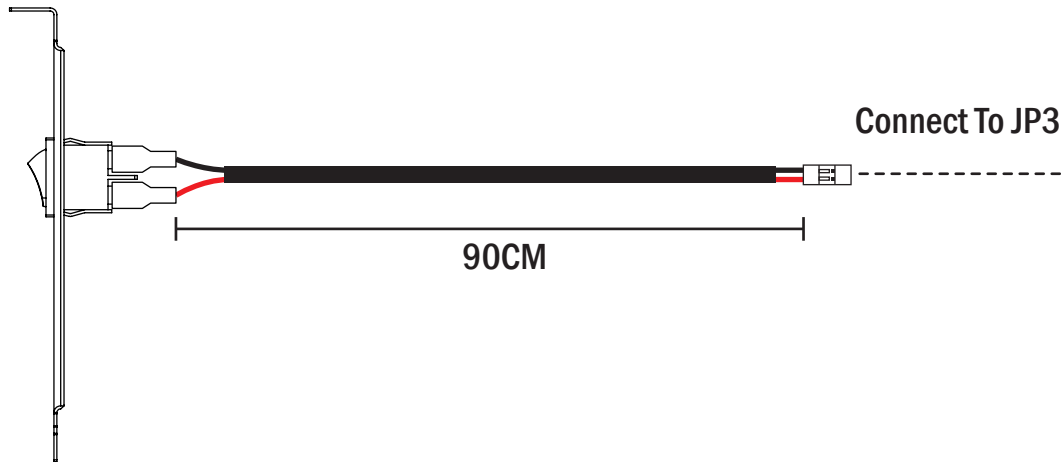
JP3
Connected To The Expansion Slot Cover Plate Switch Alice

S1
Delaying Timer Selector (Dip Switch)

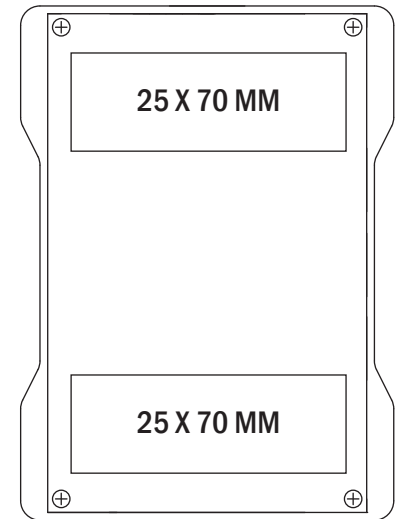
• Dual 20+4PIN PSU Extension Cable 60CM



• PCI Bracket



• Black Double Side Tape

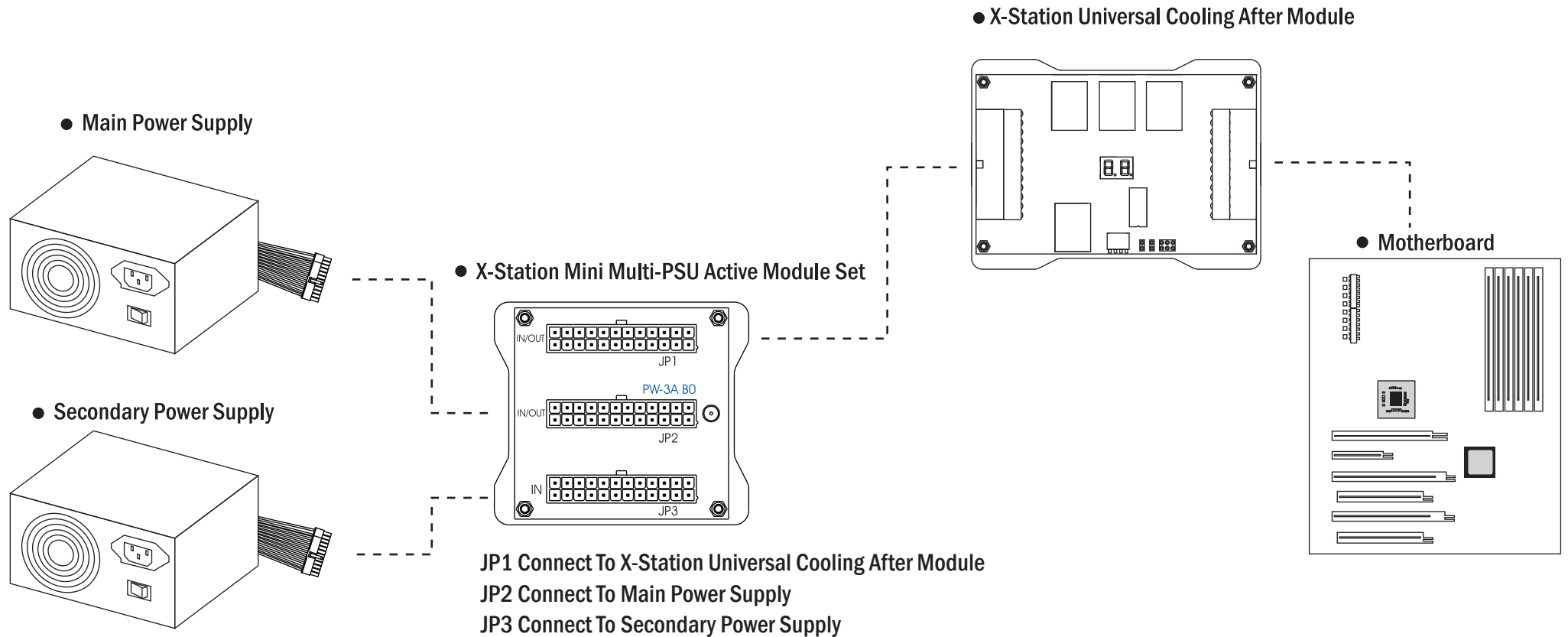


Accessories	PCI Bracket (Connect To JP3)	1SET
	Dual 20+4PIN PSU Extension Cable 60CM (Motherboard Connect To Right Angle 24PIN)	1PCS
	Black Double Side Tape (25 X 70 MM)	2PCS

Attention :

- Avoid Using A Single Power Supply In Parallel Two Motherboard.
- Please Make Sure The " X-station Universal Cooling After Module " Is Turn Off Before Log On, Otherwise Is Unable Starting.
- The Product Is No Time Limit When Your Motherboard Power Off.
- Please Don't Drop The Precision Electronic Product To Prevent Damage Or Malfunction.
- The motherboard will be shut down in 30 seconds and not switch on the delay function of show down.

Dual Power Supply For Use With X-Station Mini Multi-PSU Active Module Set (Can Only Be Used With The PW-3A B0)



Normal Procedure

- Step 1 Turn On The Secondary Power Supply First.
- Step 2 Turn On The Main Power Supply.
- Step 3 Turn On The Motherboard.

Attention :

- "X-Station Universal Cooling After Module " Compatible With ASUS 、 Gigabyte 、 Sapphire 、 MSI Motherboard Except EVGA.
- If You Use The Dual Power Supply In The Case An Exception Occurs, Please Turn Off All Power And Check The "X-Station Universal Cooling After Module" Switch Is Turned Off, Then Follow The Normal Steps To Re-boot.