

Accessories

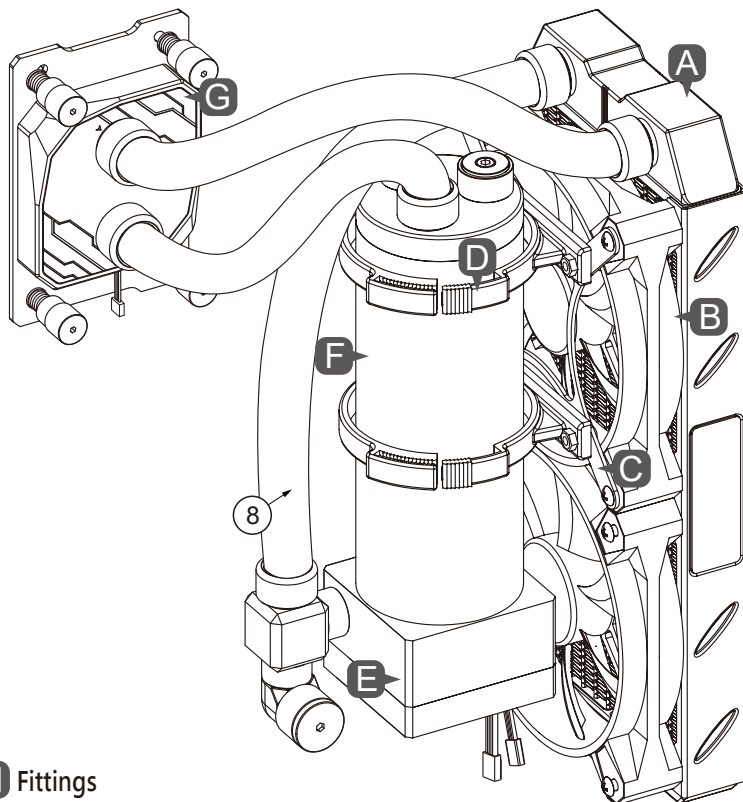
- A** Radiator 1 PC
- B** Fan 2 PCS
- C** Radiator mount bracket ... 1 PC
- D** Water tank mount bracket .. 2 PCS
- E** Pump 1 PC
- F** Water tank system 1 PC
- G** CPU water block 1 PC
- H** Fittings 1 SET
(See following details)
- I** Other accessories
(See following details) . 1 SET

H. Fittings

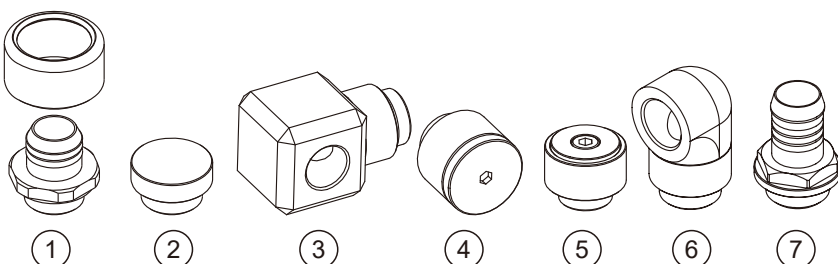
- ① TA-CFS3858-GB 6 PCS
- ② BPTA-F06-GS 1 PC
- ③ TA-TRC-GS 1 PC
- ④ BPTA-EFW-V2-GS 1 PC
- ⑤ BPTA-EXAIR-GS 1 PC
- ⑥ BPTA-90RE-GS 1 PC
- ⑦ BP-BB2WP-P02 1 PC

I. Other Accessories

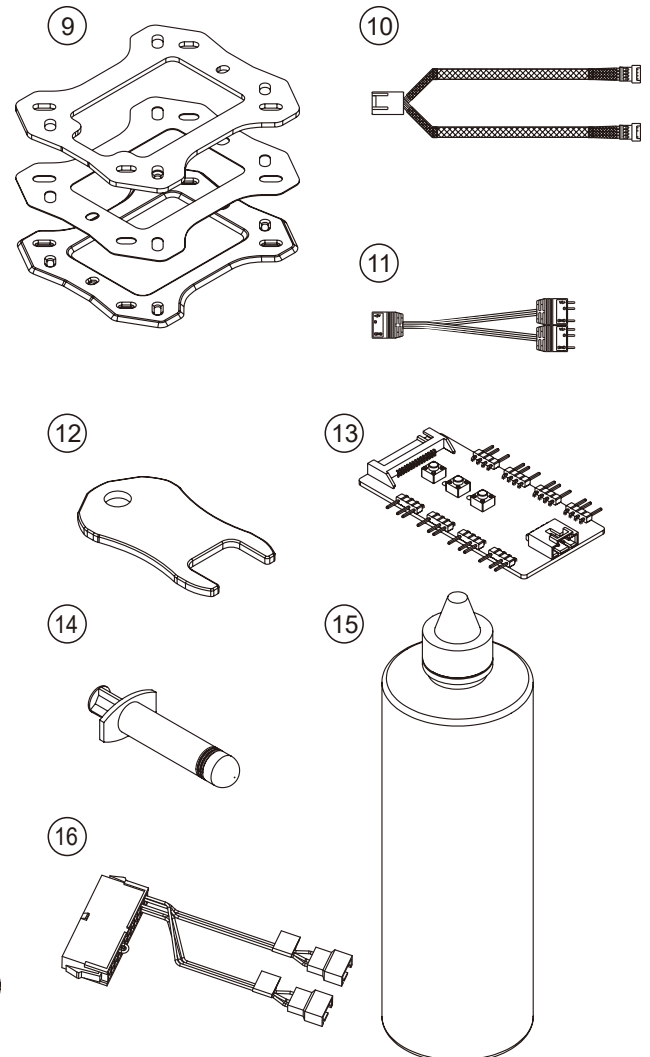
- ⑧ Soft tube..... 1 PC
- ⑨ CPU backplane set..... 1 SET
- ⑩ Y wire(Fan) 1 PC
- ⑪ Y wire(DRGB)..... 1 PC
- ⑫ Fitting nut wrench 1 PC
- ⑬ DRGB Multi Function Controller.. 1 PC
- ⑭ Thermal grease 1 PC
- ⑮ Coolant 2 PCS
- ⑯ BP-PSC-SOC..... 1 PC



H Fittings

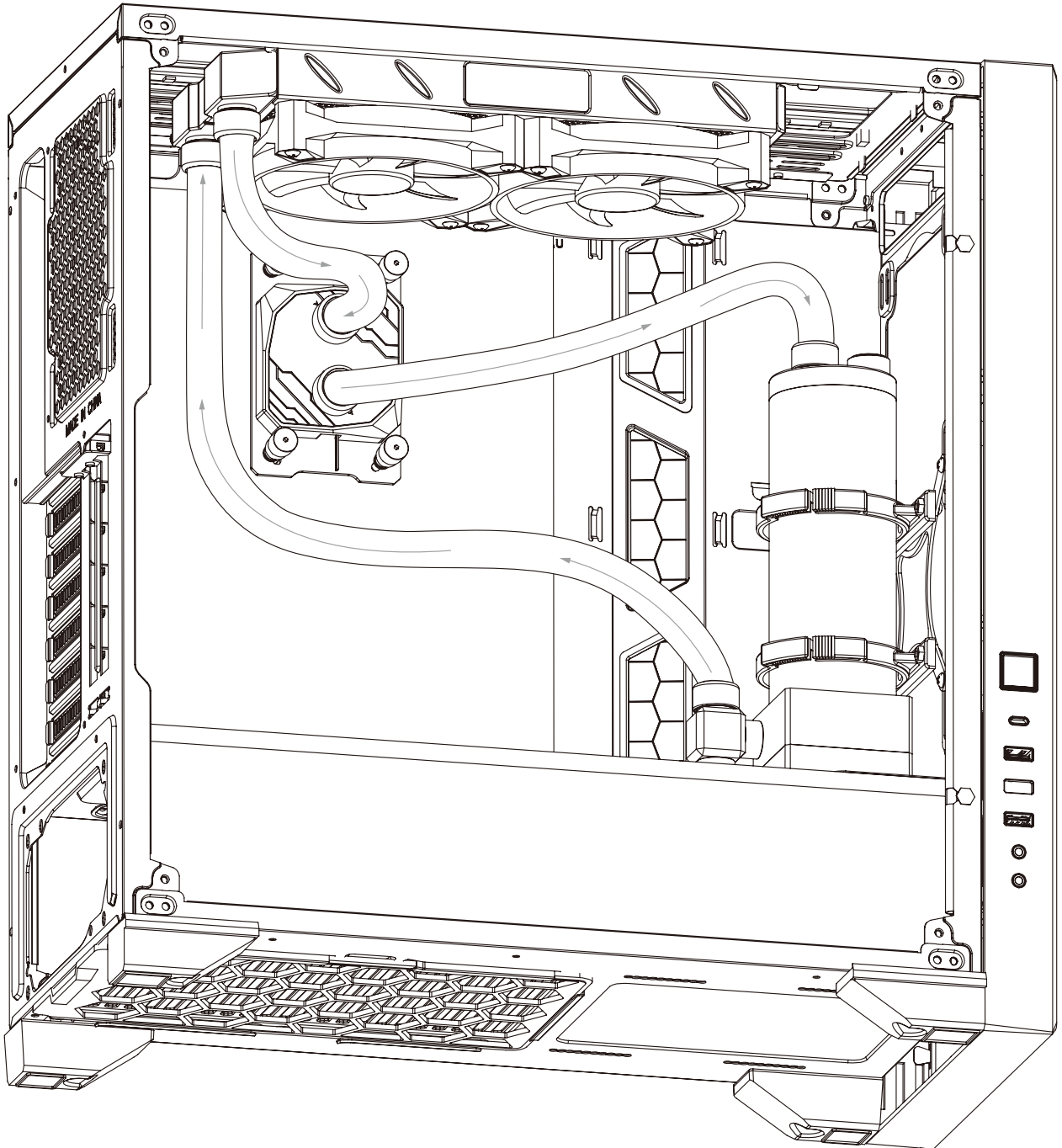


I Other accessories



Bitspower reserves the right to change the product design and interpretations. These are subject to change without notice. Product colors and accessories are based on the actual product.

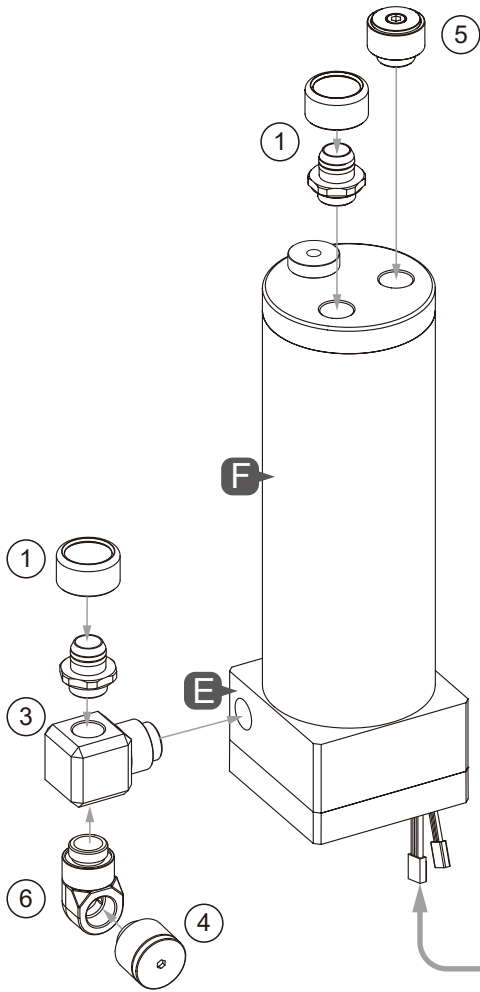
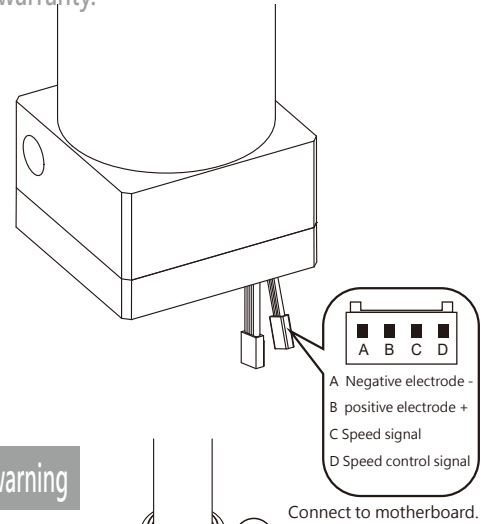
Alternative build



1 Install the water tank flap

The water tank base and water pump should not be disassembled. Disassembly will void the warranty.

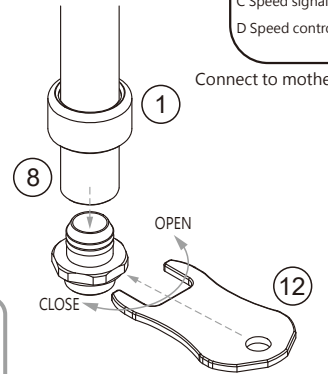
Pump Spec.
 Rated voltage : 12V DC
 Power consumption : 8.4W
 Maximum flow : 460±15%L/h
 Noise : ≤24dBA
 PWM : Yes
 MTBF : ≤15,000 hours
 Warranty : 2 years



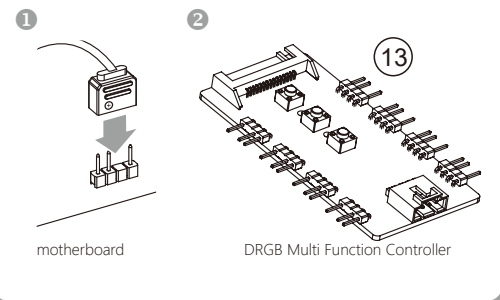
! Soft tube installation warning

Soft tube installation steps:

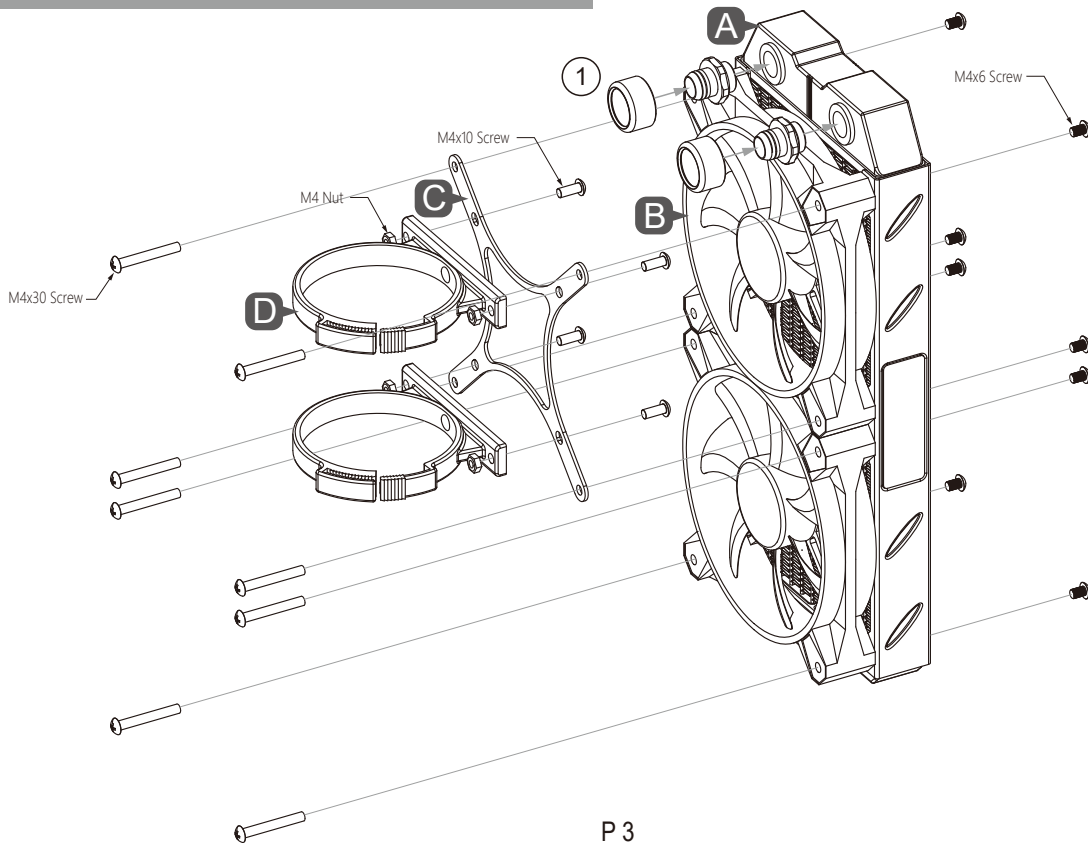
1. Pull the fitting apart by unscrewing the sleeve from the nut.
2. Slide the tube through the sleeve then push the tube over the nut head until the end.
3. Lock the nut tightly to the sleeve using a clockwise rotation.



Digital RGB PIN on ① motherboard or ② other equipment.

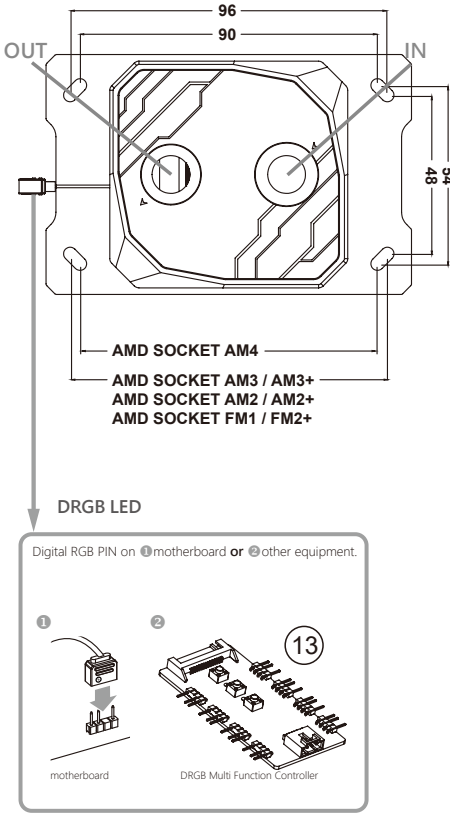


2 Install the fans and reservoir on the radiator



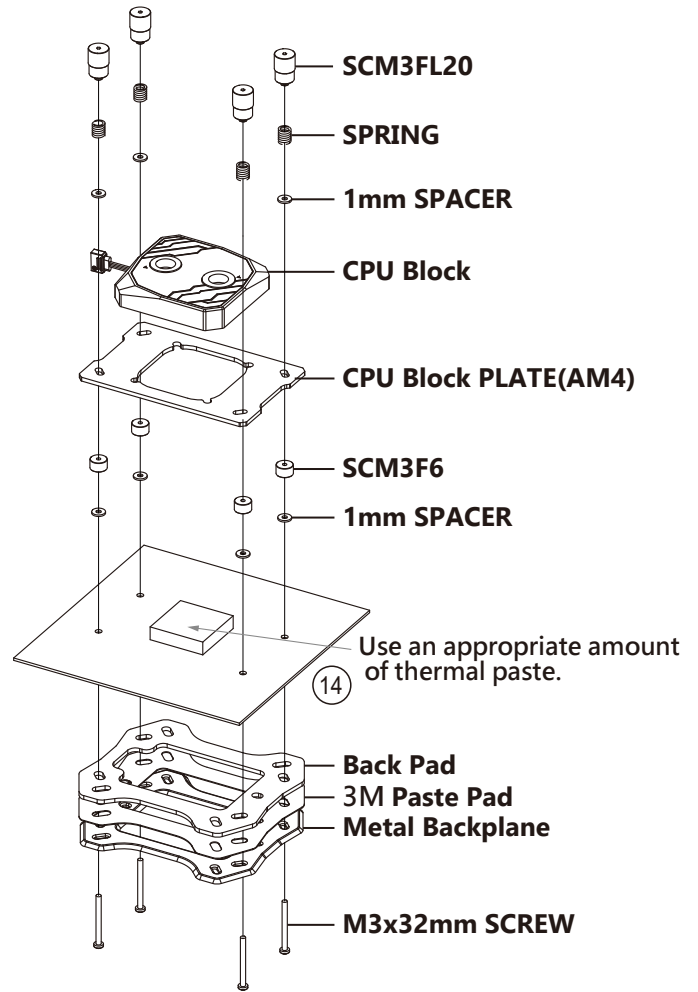
3 Install the CPU

Apply block over AMD CPU



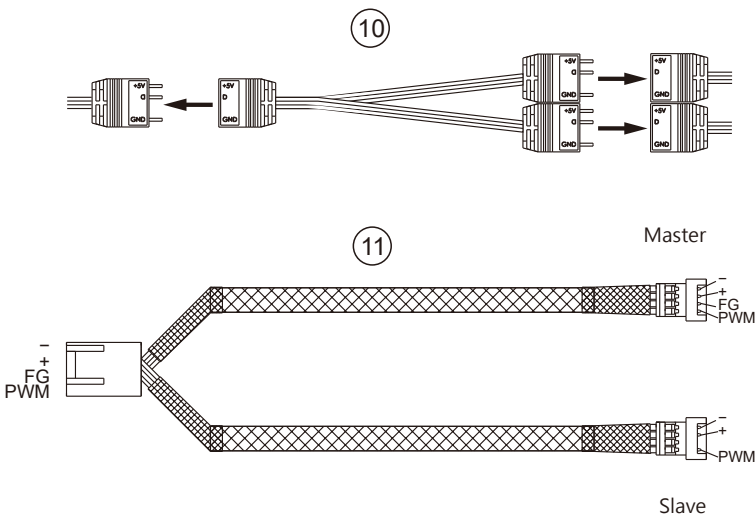
Installation 1

Please closely follow this diagram for installation.



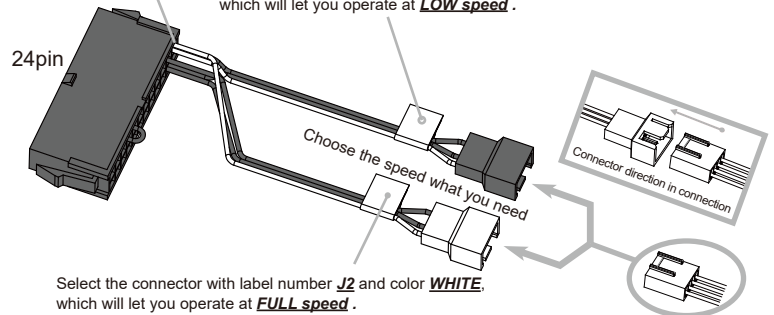
4 Wire

Connect the Addressable RGB (+5V) Light

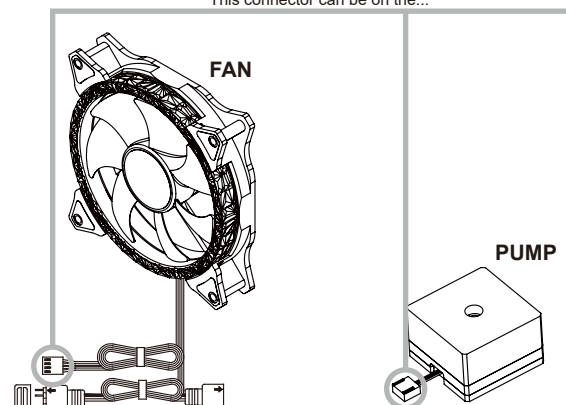


⑬ BP-PSC-SOC

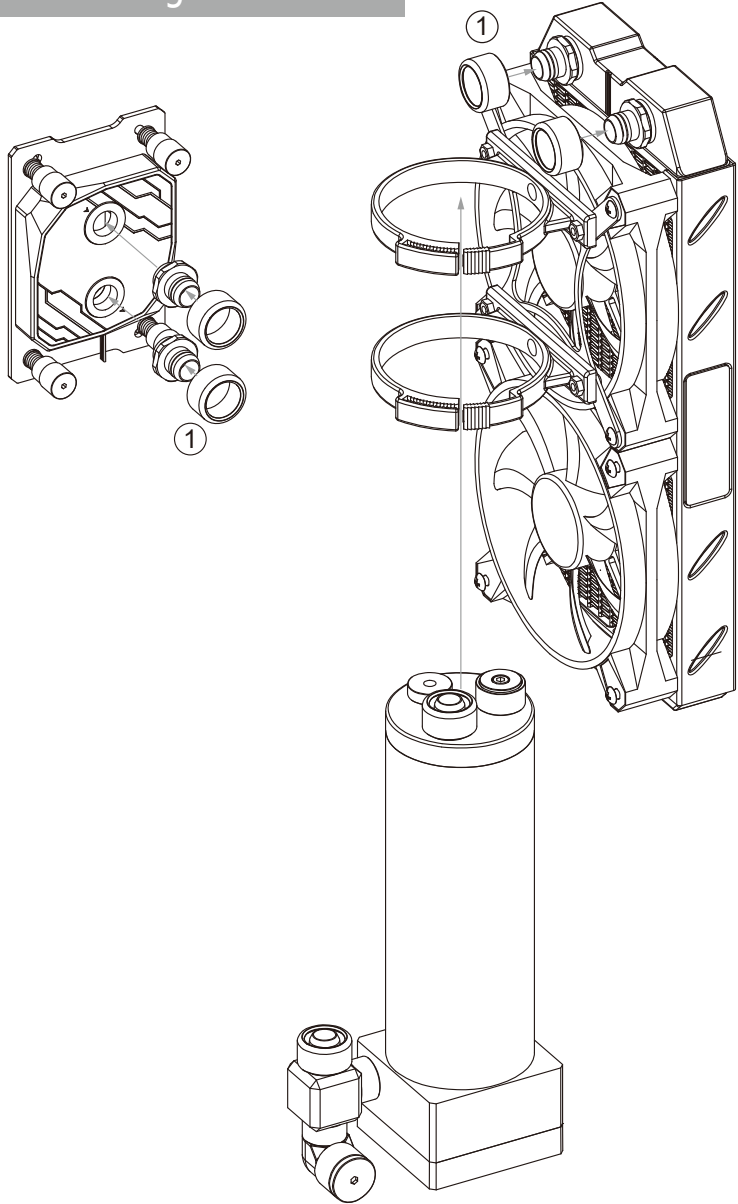
Select the connector with label number **J1** and color **BLACK**, which will let you operate at **LOW speed**.



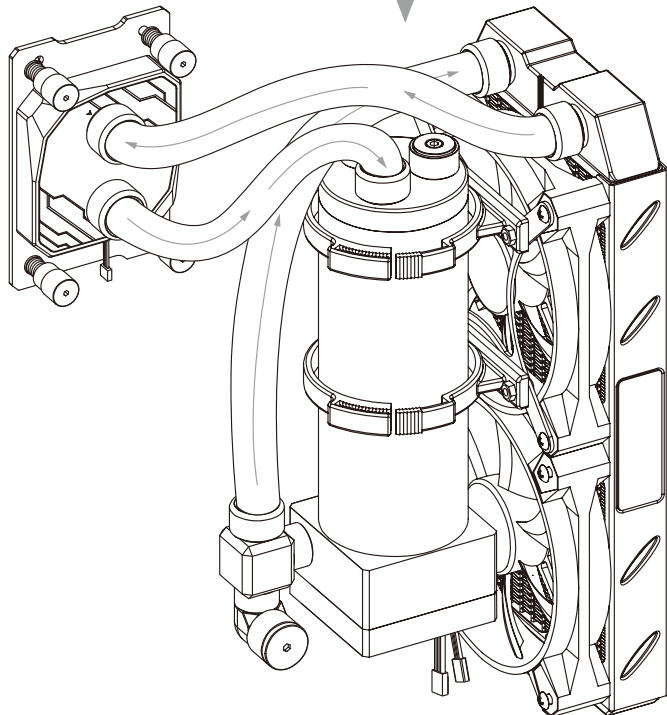
This connector can be on the...



5 Install the tube with fitting



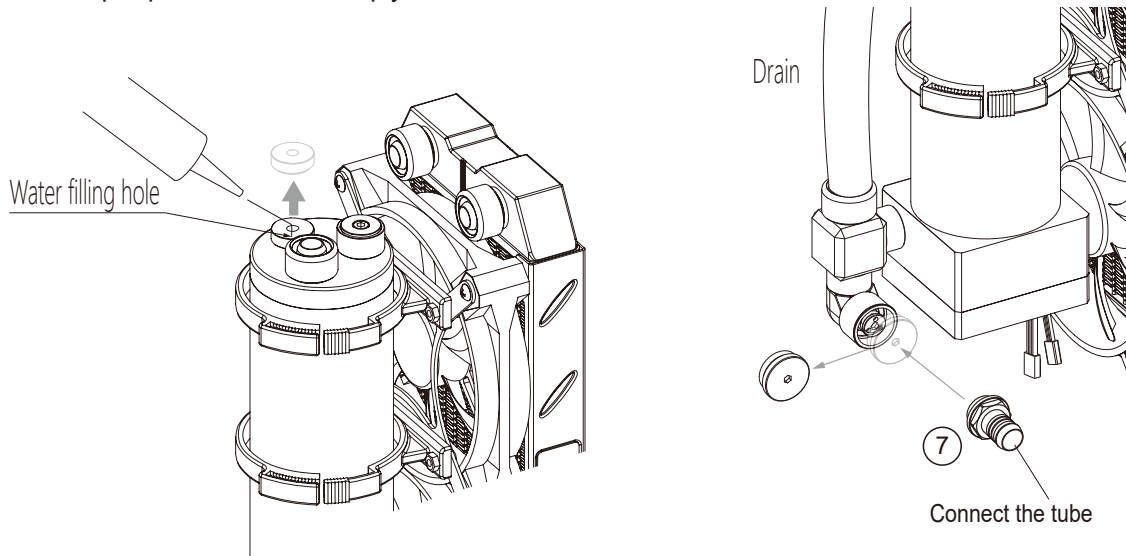
Optimum water route



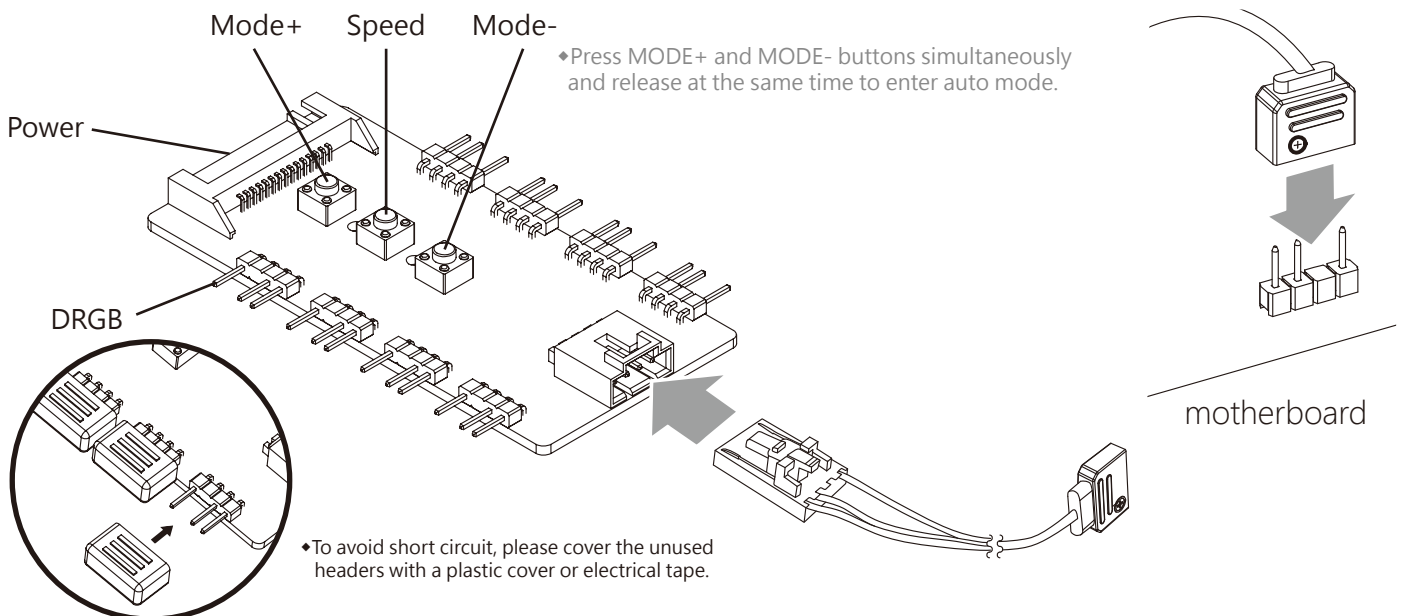
6 Water

Pour the coolant into the reservoir via the water filling hole. Once the reservoir is 90% full, turn on the power supply for the pump to run and let the air exit the loop. Turn off the power supply when the reservoir is near empty. Repeat until all the air has exited the loop.

Notice: Bitspower recommends that consumers add the Bitspower coolant or purified water for their water-cooling liquid. If the consumer chooses different water-cooling liquids, the resulting impurities may cause peeling of the coating on some of the hardware, water channels blockage by built-up residue, improper operation of the water pump, water tank tube breakage, and o-rings deformation leading to leakage. Any issues related to the use of inappropriate water-cooling liquid will be the responsibility of the consumer. Do not turn on the pump if the reservoir is empty.



7 Digital RGB Multi Function Controller



The DRGB controller is used to expand the amount of DRGB header of the motherboard. The controller can expand one DRGB header into eight, and control multiple fans and LED strips compatible light effects controlled by the motherboard. In addition, the controller has its own lighting effects, which can be controlled by the buttons found on the controller.

ATTENTION:

- 1: The controller can't increase the power supply of the DRGB header from the motherboard. A standard DRGB header can provide $5V \times 1A = 5W$ of power. It is recommended that the combined length of the LED strip connected to the controller be shorter than 1 meter. If the DRGB header is overloaded, the brightness of the light will be reduced considerably. To restore the brightness, some items plugged to the controller must be removed.
- 2: Connection tip - Keep in mind that the arrow marks on the connector corresponds to 5V pin for the DRGB headers.
- 3: When using the controller separately, please connect to a SATA port only.

Specifications:

Operating voltage: DC 5V input
Power: Less than 1W