



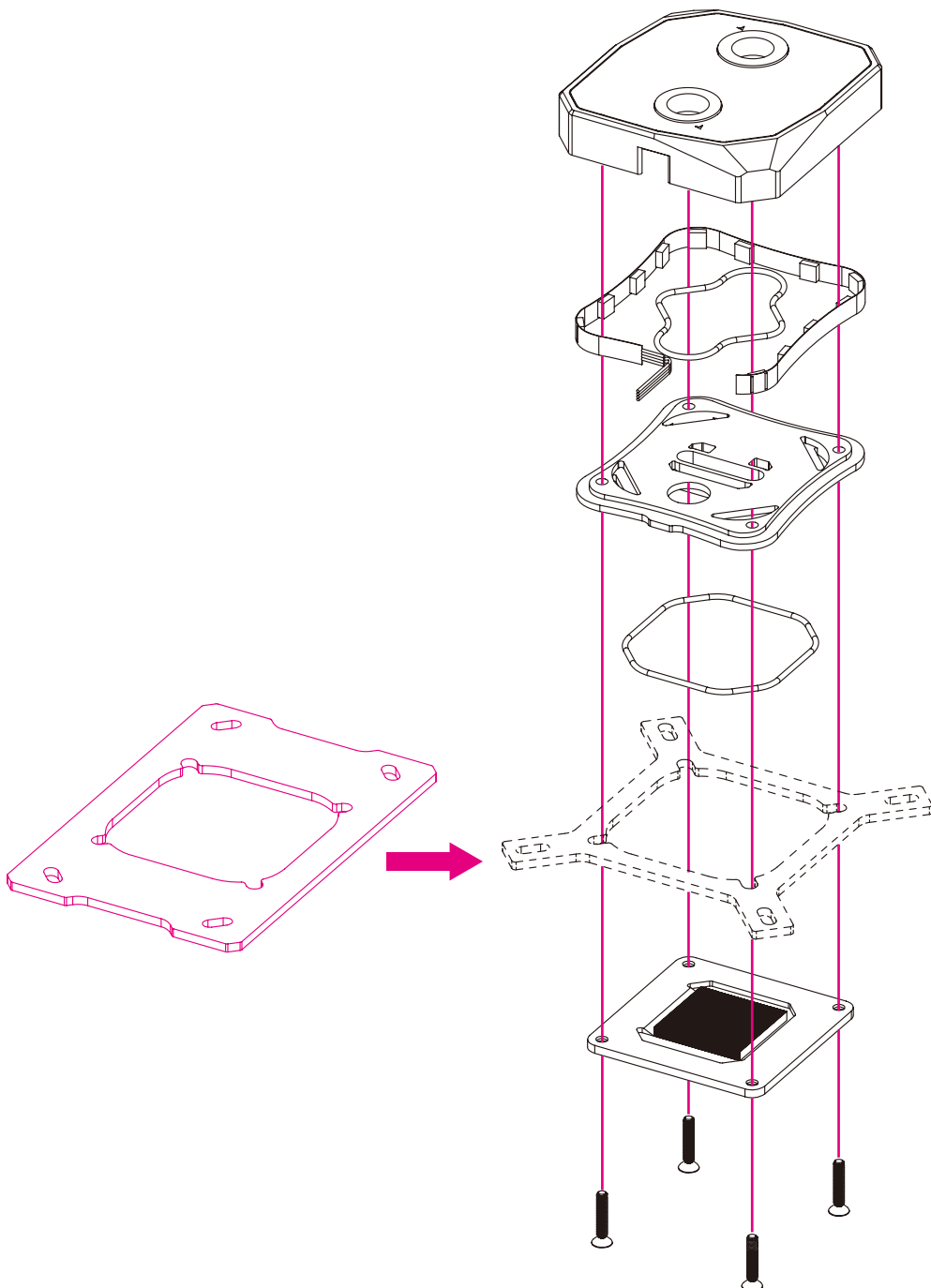
Bitspower CPU Block Plate MS For AMD CPU v1

Accessories

- 1** BPTA-CPUMSAPT 1 SET
- 2** Back plate 1 PC
- 3** SC6-32M3 Screw 4PCS
- 4** Nylon cup washer 4 PCS

Assembly steps

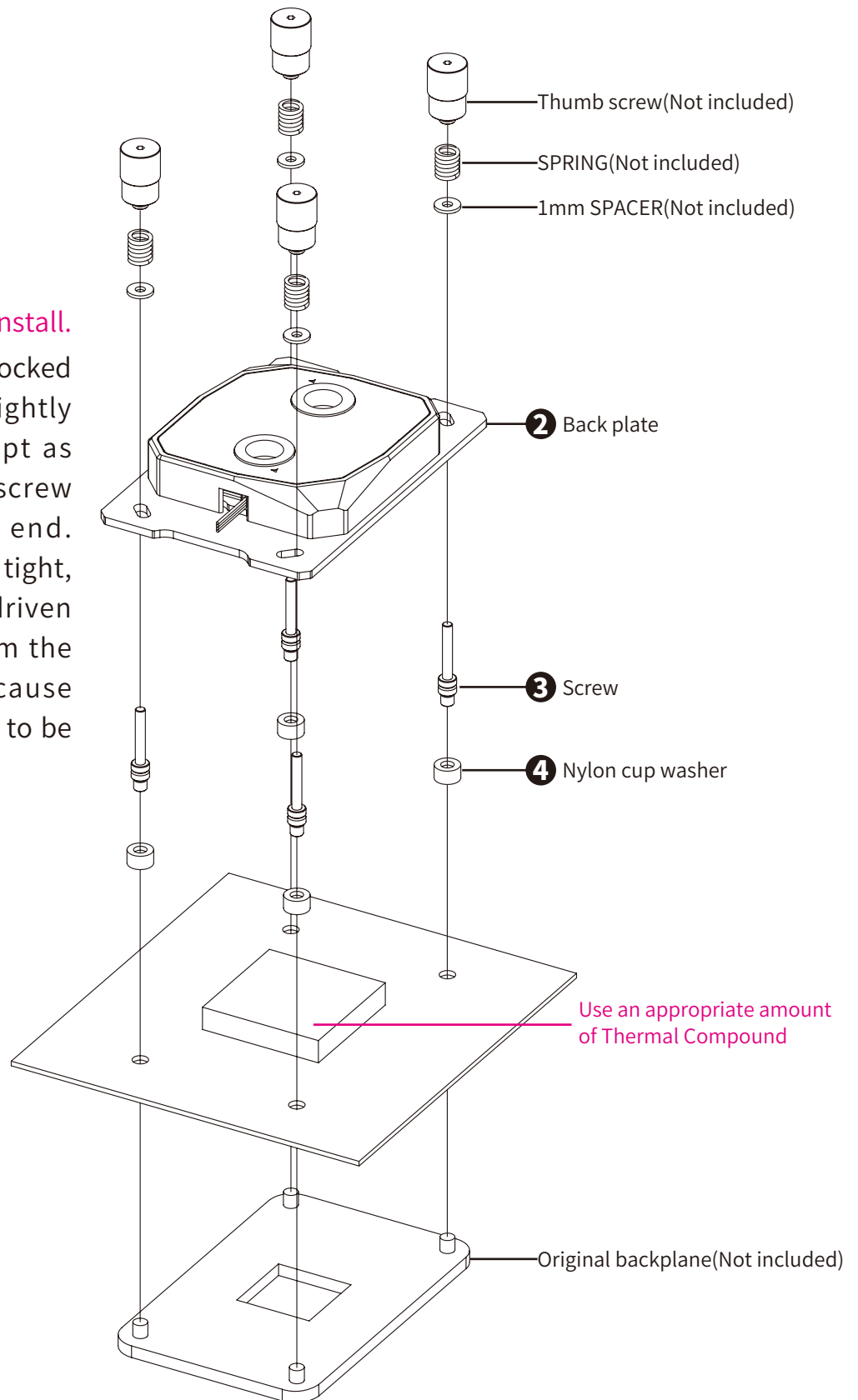
step 1



step 2

Follow the right sequence to install.

The thumb screw cannot be locked too tightly, the spring is slightly pressed and the gap is kept as shown below. The thumb screw cannot be rotated to the end. When the spring screws too tight, the SCM3F6 screw will be driven and will be taken away from the motherboard, which will cause the water block and CPU not to be closed well.





Notice

- Before filling in the water, please make sure all the components are installed correctly. To prevent any leakage which may damage the PC components, please perform a 24-hour leaking test with only the pump connected to the power supply.
- Bitspower reserves the right to change the product design and interpretations. These are subject to change without notice. Product colors and accessories are based on the actual product.
- When using leak tester on water cooling loop, in order to avoid product damage due to excessive pressure, the input pressure should not exceed 0.5kg/cm² (Bar). If the product is damaged due to excessive pressure, it will be borne by the customer. Forbidden to use the leak tester when there is water in the loop or the pump is running.
- Bitspower recommends that consumers add the Bitspower dye to distilled water or purified water for their water-cooling liquid. If the consumer chooses different water-cooling liquids, the resulting impurities may cause peeling of the coating on some of the hardware, water channels blockage by built-up residue, improper operation of the water pump, water tank tube breakage, and o-rings deformation leading to leakage. Any issues related to the use of inappropriate water-cooling liquid will be the responsibility of the consumer.
- Do not turn on the pump if the reservoir is empty.



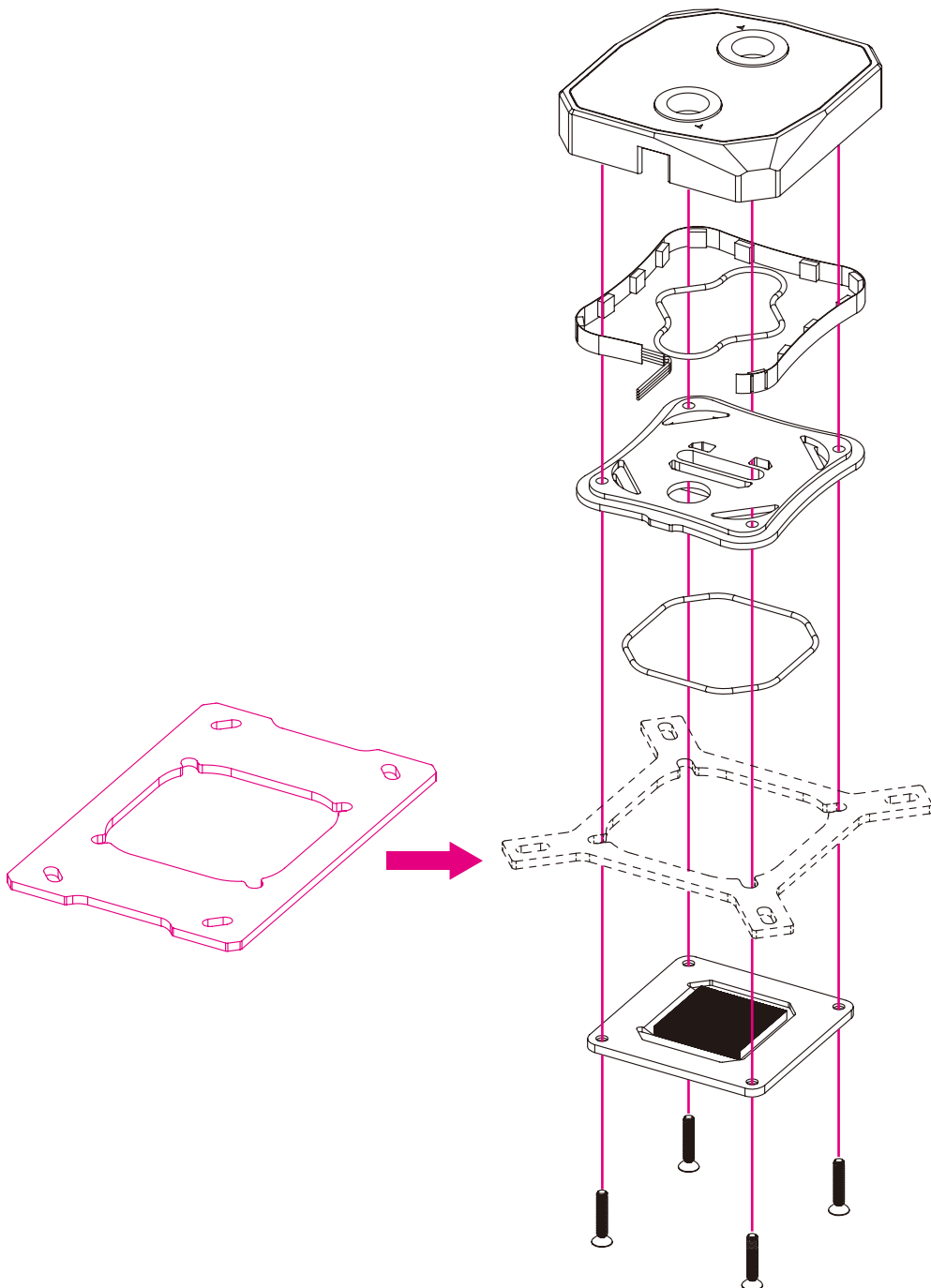
Bitspower CPU Block Plate MS For AMD CPU V1

配件

- ❶ BPTA-CPUMSAPT 1組
- ❷ 支架 1片
- ❸ SC6-32M3 螺絲 4支
- ❹ 杯型華司 4個

組裝步驟

步驟 1

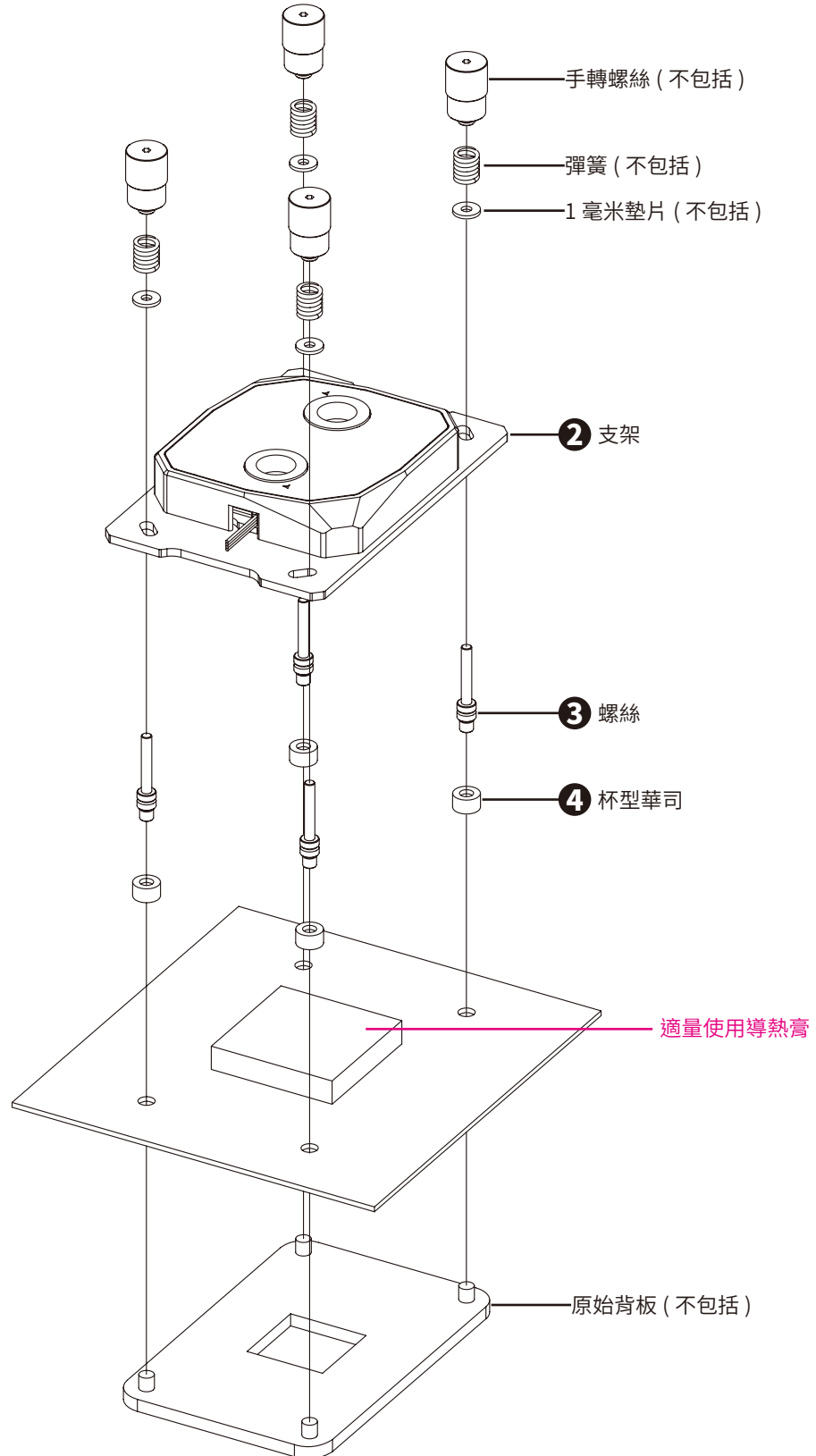




步驟 2

請按照正確的順序安裝

手轉螺絲不能鎖太緊，
彈簧略有壓迫且保有
間隙如下圖。手轉螺絲
不能旋轉到底，當鎖太
緊時，SCM3F6 螺絲會
被帶動，並會被帶離主
板，反而導致冷頭與
CPU 貼合效果不好。



⚠ 注意

- 跑水前，請先確認所有零件已安裝在正確的位置上，在不開主機，單開水泵的情況下，進行 24 小時的跑水測試，確保無漏水情況後再開主機，避免發生漏水而導致電腦零件的損壞。
- 本公司保留對產品的設計更改以及解釋的權力，如有更動恕不另行通知，產品顏色與配件以實物為準。
- 當使用測氣產品測試水路時，為避免由于壓力過大導致產品損壞，輸入的壓力請不要超過 0.5kg/cm² (Bar), 如因壓力過大造成產品損壞，將由客戶自行承擔。嚴禁客戶在水路有水及水泵開啟的情況下進行氣體飽壓測試。
- Bitspower 建議消費者使用蒸餾水、純淨水，加入 Bitspower 的染劑作為水冷液使用；如客戶自行選購的水冷液導致電鍍層剝落、水道堵塞、水泵轉動不正常、水箱管破裂或密封圈變型以致漏水等及其它不可抗力之問題時，消費者自行承擔相關產品責任。
未注水前，請勿啟動水泵電源。



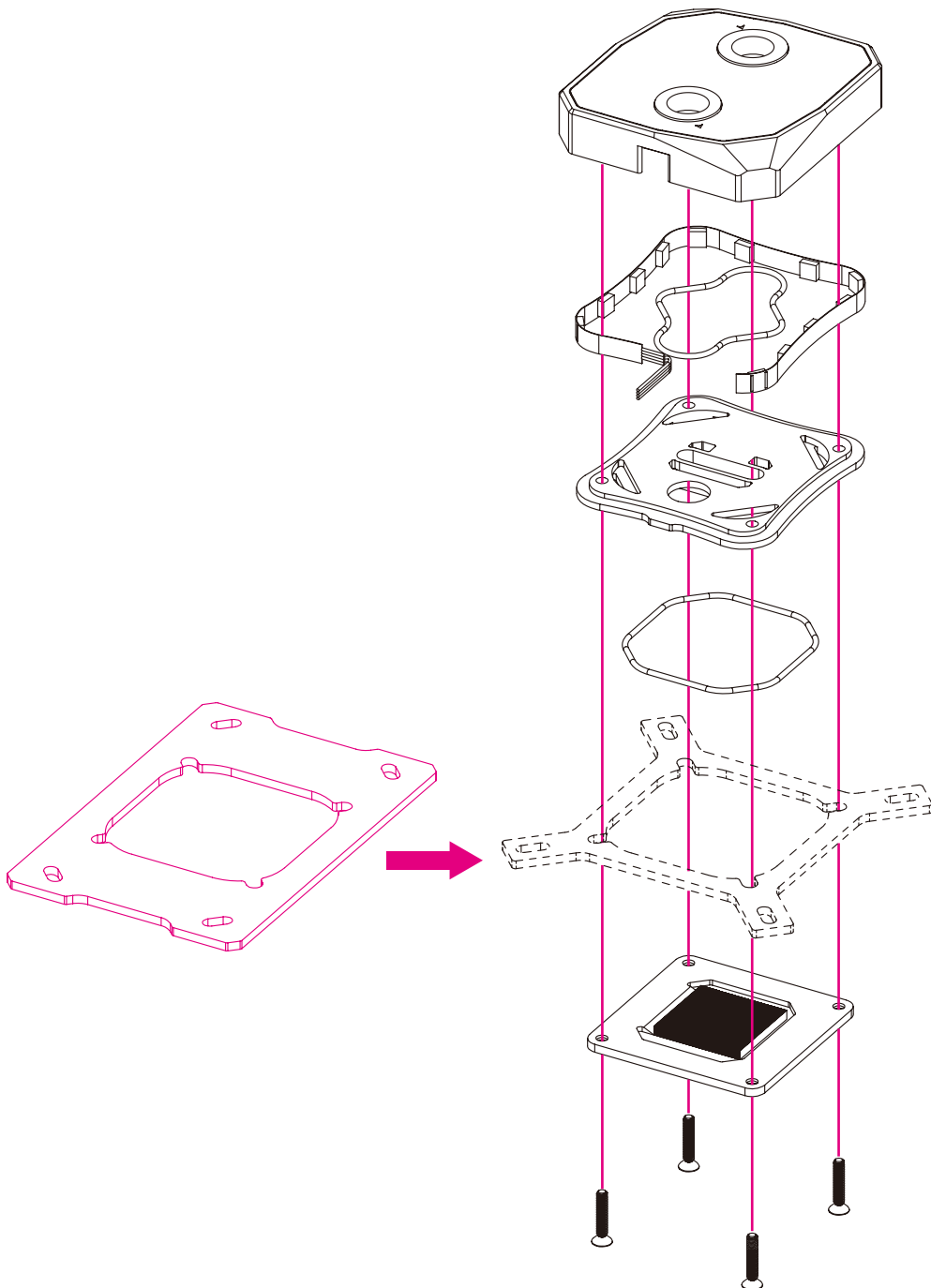
Bitspower CPU Block Plate MS For AMD CPU V1

配件

- 1** BPTA-CPUMSAPT 1组
- 2** 支架 1片
- 3** SC6-32M3 螺丝 4支
- 4** 杯型华司 4个

组装步骤

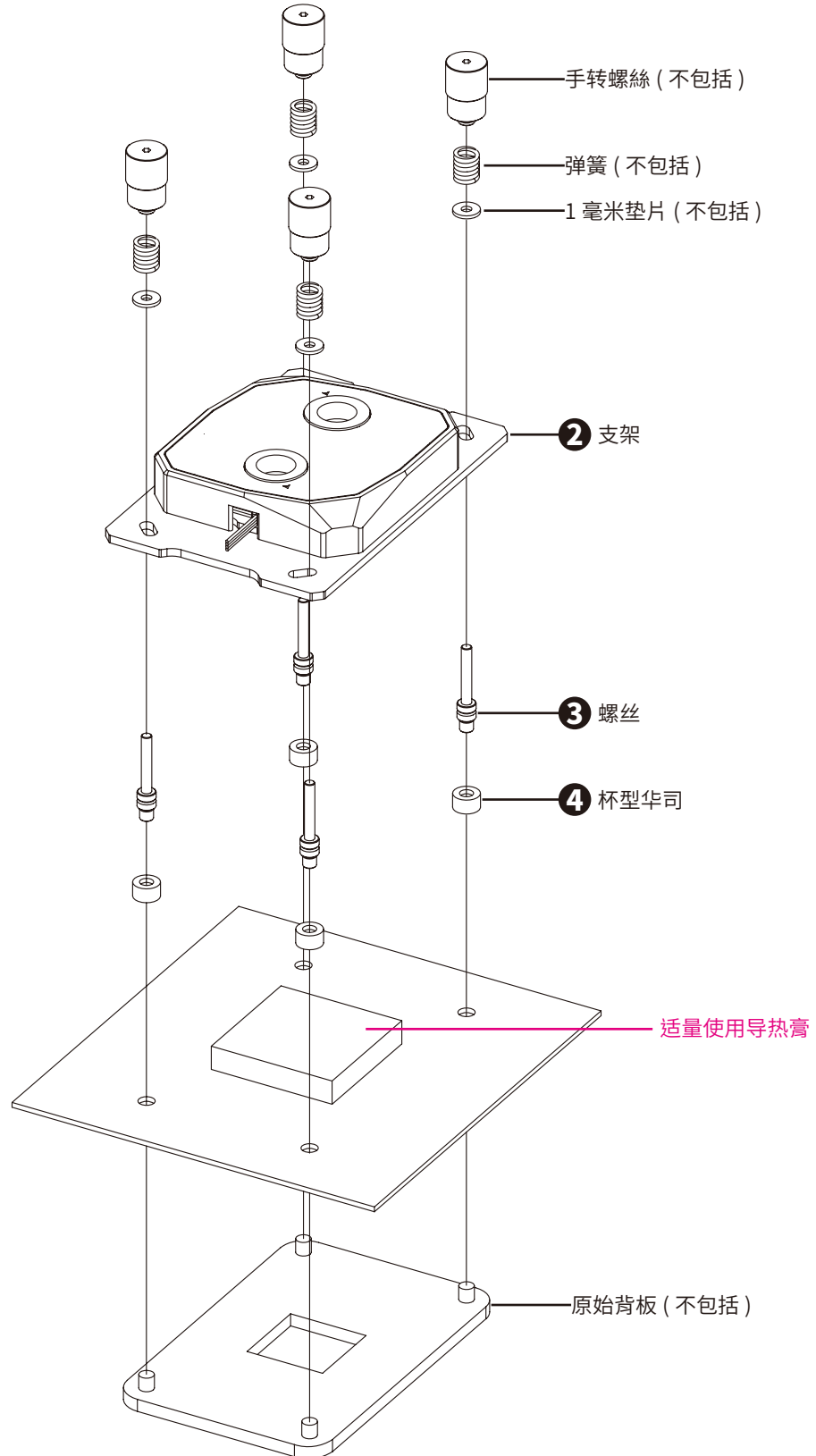
步骤 1



步骤 2

请按照正确的顺序安装

手转螺丝不能锁太紧，弹簧略有压迫且保有间隙如下图。手转螺丝不能旋转到底，当锁太紧时，SCM3F6 螺丝会被带动，并会被带离主板，反而导致冷头与 CPU 贴合效果不好。



⚠ 注意

- 跑水前，请先确认所有零件已安装在正确的位置上，在不开主机，单开水泵的情况下，进行 24 小时的跑水测试，确保无漏水情况后再开主机，避免发生漏水而导致电脑零件的损坏。
- 本公司保留对产品的设计更改以及解释的权力，如有更动恕不另行通知，产品颜色与配件以实物为准。
- 当使用测气产品测试水路时，为避免由于压力过大导致产品损坏，输入的压力请不要超过 0.5kg/cm² (Bar), 如因压力过大造成产品损坏，将由客户自行承担。严禁客户在水路有水及水泵开启的情况下进行气体饱压测试。
- Bitspower 建议消费者使用蒸馏水、纯净水，加入 Bitspower 的染剂作为水冷液使用；如客户自行选购的水冷液导致电镀层剥落、水道堵塞、水泵转动不正常、水箱管破裂或密封圈变型以致漏水等及其它不可抗力之问题时，消费者自行承担相关产品责任。
- 未注水前，请勿启动水泵电源。