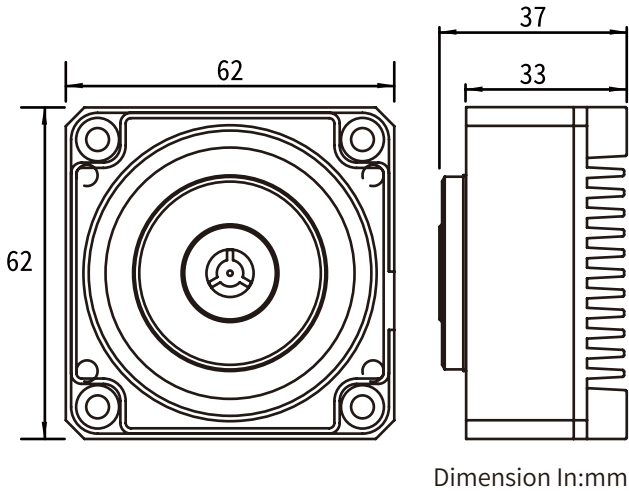


Bitpower DDC 4.2 Pump PWM v2

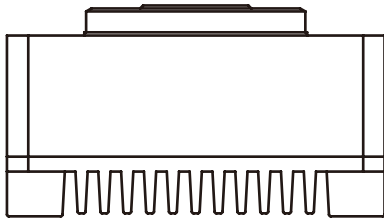
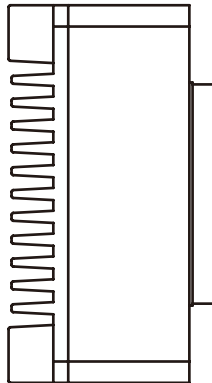
Dimension



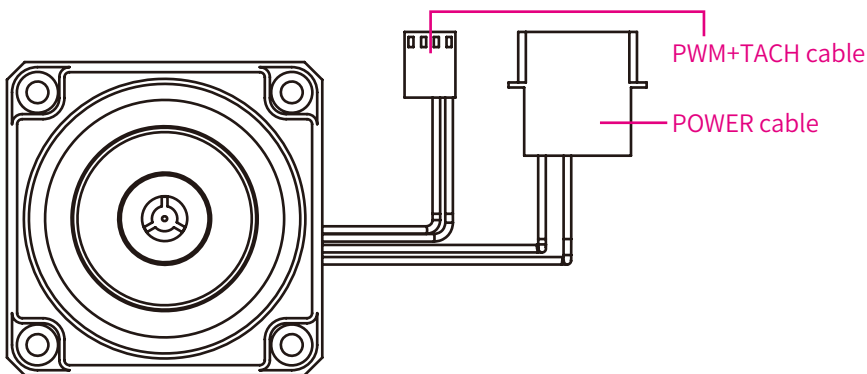
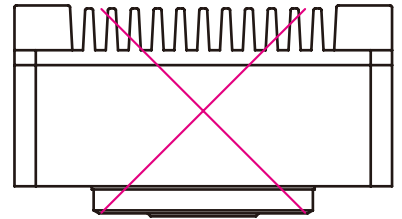
Troubleshooting

- If the pump doesn't operate, please replug the pump in several times until it works normally.
- If it still doesn't work, it is probably blocked by particles.
- Drain the system and remove the pump housing. Open the pump by removing the four housing screws at the bottom.
- Remove the housing and pull out the rotor. Clean the rotor with a clean cloth and purge all dirt from the pump housing.

Installation

 Vertical

 Horizontal


Not permitted Upside down



SPECIFICATION	
Max. flow	9.6 LPM
Max. head	4.34 M
Rated voltage	12V DC
Rated current	1.33 A
Power consumption	16 W
Noise level	≤ 40dBA
Max. temperature	70° C

Notice

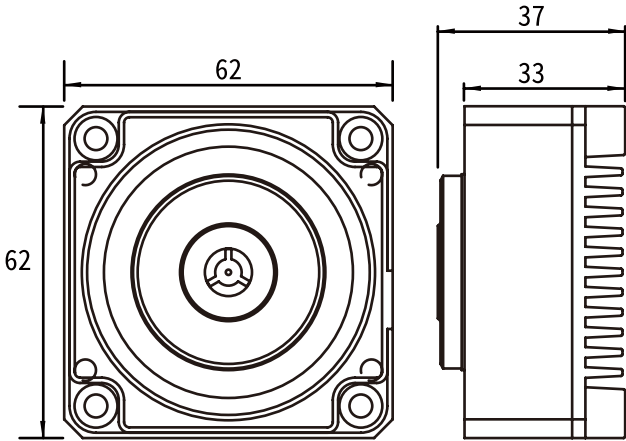
- 1 You can connect the PWM+Tach cable to any fan slot on the motherboard. And then the speed of the pump can be controlled by the fan PWM function. If not, there will be no PWM and data display function.
- 2 The power cable should connect to the power supply to make the pump work.
If you only connect the Power Cable to the power supply, the pump will run at full speed.

Notice

- Before filling in the water, please make sure all the components are installed correctly. To prevent any leakage which may damage the PC components, please perform a 24-hour leaking test with only the pump connected to the power supply.
- Bitspower reserves the right to change the product design and interpretations. These are subject to change without notice. Product colors and accessories are based on the actual product.
- When using leak tester on water cooling loop, in order to avoid product damage due to excessive pressure, the input pressure should not exceed 0.5kg/cm² (Bar). If the product is damaged due to excessive pressure, it will be borne by the customer. Forbidden to use the leak tester when there is water in the loop or the pump is running.
- Bitspower recommends that consumers add the Bitspower dye to distilled water or purified water for their water-cooling liquid. If the consumer chooses different water-cooling liquids, the resulting impurities may cause peeling of the coating on some of the hardware, water channels blockage by built-up residue, improper operation of the water pump, water tank tube breakage, and o-rings deformation leading to leakage. Any issues related to the use of inappropriate water-cooling liquid will be the responsibility of the consumer. Do not turn on the pump if the reservoir is empty.

Bitpower DDC 4.2 Pump PWM V2

外觀尺寸



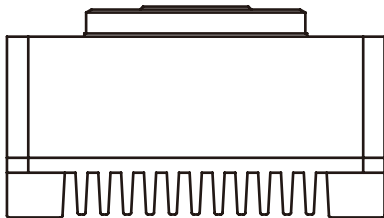
單位 :mm

故障排除

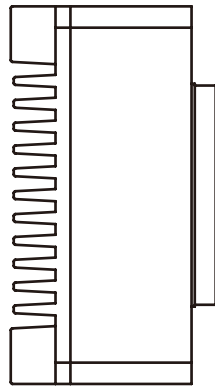
- 假如水泵未運作，請重新插拔電源數次直至正常運行。
- 仍持續未運作，有可能被顆粒阻塞。
- 將水排除並拆下四顆螺絲，移除水泵上蓋。
- 將轉子取出用乾淨的布做清潔並清除上蓋污垢。

安裝方式

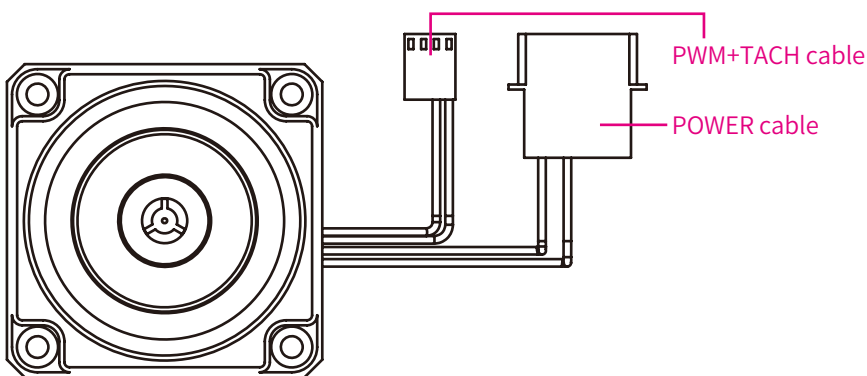
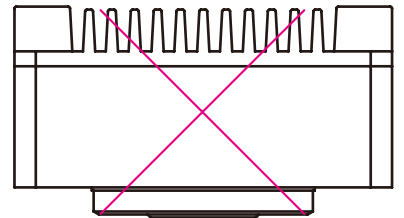
直立 



水平 



禁止顛倒置放



規格	
最大流程	9.6 LPM
最大揚程	4.34 M
額定電壓	12V DC
額定電流	1.33 A
輸入功率	16 W
噪音	≤ 40dBA
最大液體溫度	70° C

注意事項

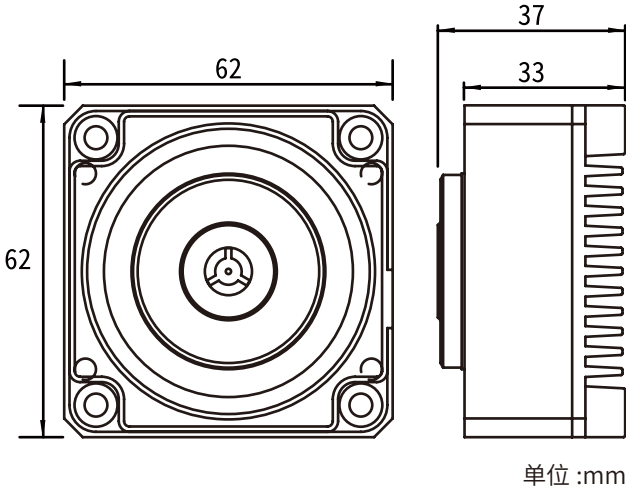
- 1 PWM+Tach線材可連接主板上任一風扇插座，可由風扇的PWM功效調整馬達速度，如不鏈接，則無PWM及數據顯示功能。
 - 2 Powe Cable 需要鏈接電源才能啟動馬達。
- 備註：如單獨只接 Power Cable 與電源供電器，馬達將全速運轉。

注意

- 跑水前，請先確認所有零件已安裝在正確的位置上，在不開主機，單開水泵的情況下，進行 24 小時的跑水測試，確保無漏水情況後再開主機，避免發生漏水而導致電腦零件的損壞。
- 本公司保留對產品的設計更改以及解釋的權力，如有更動恕不另行通知，產品顏色與配件以實物為準。
- 當使用測氣產品測試水路時，為避免由于壓力過大導致產品損壞，輸入的壓力請不要超過 0.5kg/cm² (Bar), 如因壓力過大造成產品損壞，將由客戶自行承擔。嚴禁客戶在水路有水及水泵開啟的情況下進行氣體飽壓測試。
- Bitspower 建議消費者使用蒸餾水、純淨水，加入 Bitspower 的染劑作為水冷液使用；如客戶自行選購的水冷液導致電鍍層剝落、水道堵塞、水泵轉動不正常、水箱管破裂或密封圈變型以致漏水等及其它不可抗力之問題時，消費者自行承擔相關產品責任。未注水前，請勿啟動水泵電源。

Bitpower DDC 4.2 Pump PWM V2

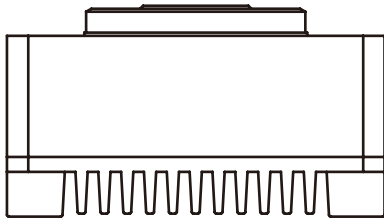
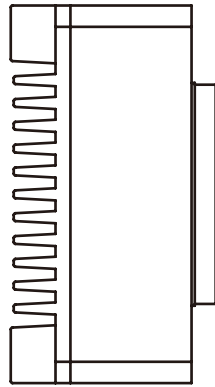
外观尺寸



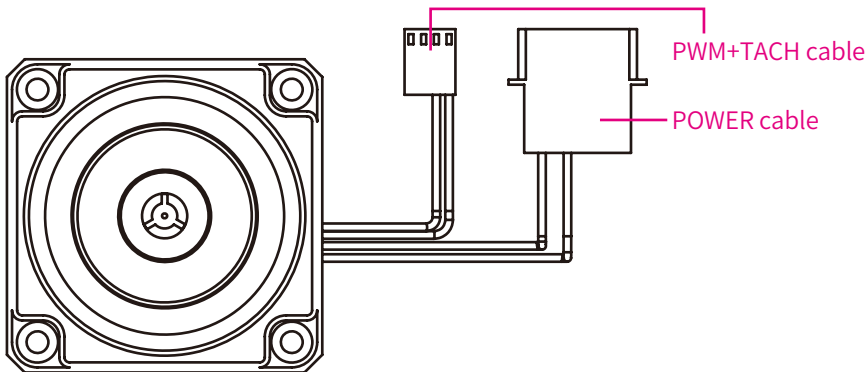
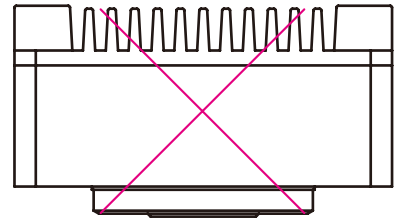
故障排除

- 假如水泵未运作，请重新插拔电源数次直至正常运行。
- 仍持续未运作，有可能被颗粒阻塞。
- 将水排除并拆下四颗螺丝，移除水泵上盖。
- 将转子取出用干净的布做清洁并清除上盖污垢。

安装方式

 直立 

 水平 


禁止颠倒置放



注意事项

- ① PWM+Tach线材可连接主板上任一风扇插座，可由风扇的PWM功效调整马达速度，如不链接，则无PWM及数据显示功能。
 - ② Powe Cable 需要链接电源才能启动马达。
- 备注：如单独只接 Power Cable 与电源供电，马达将全速运转。

规格	
最大流程	9.6 LPM
最大扬程	4.34 M
额定电压	12V DC
额定电流	1.33 A
输入功率	16 W
噪音	≤ 40dBA
最大液体温度	70° C

注意

- 跑水前，请先确认所有零件已安装在正确的位置上，在不开主机，单开水泵的情况下，进行 24 小时的跑水测试，确保无漏水情况后再开主机，避免发生漏水而导致电脑零件的损坏。
- 本公司保留对产品的设计更改以及解释的权力，如有更动恕不另行通知，产品颜色与配件以实物为准。
- 当使用测气产品测试水路时，为避免由于压力过大导致产品损坏，输入的压力请不要超过 0.5kg/cm² (Bar), 如因压力过大造成产品损坏，将由客户自行承担。严禁客户在水路有水及水泵开启的情况下进行气体饱压测试。
- Bitspower 建议消费者使用蒸馏水、纯净水，加入 Bitspower 的染剂作为水冷液使用；如客户自行选购的水冷液导致电镀层剥落、水道堵塞、水泵转动不正常、水箱管破裂或密封圈变型以致漏水等及其它不可抗力之问题时，消费者自行承担相关产品责任。未注水前，请勿启动水泵电源。